

### DESCRIPTION

Pressure gauges allow sensing the pressure in the pneumatic circuits. They are suitable to be applied directly on the pressure regulator or for panel mounting and they are available in the versions: axial (MA), radial (MR), with flange (MF) and with bracket (MP).



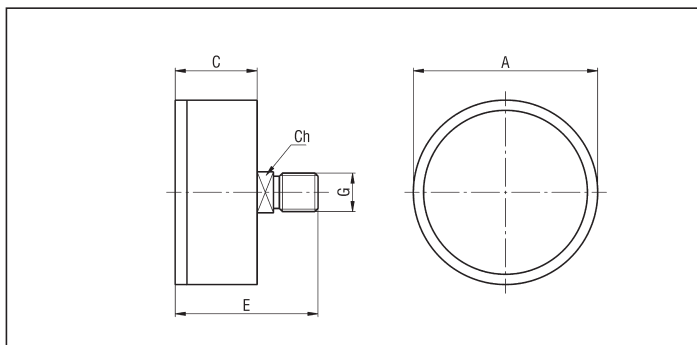
### TECHNICAL DATA

Operating pressure	0 ÷ 1 bar; 0 ÷ 4 bar; 0 ÷ 6 bar; 0 ÷ 12 bar
Working temperature	0 ÷ +70 °C (-20 °C with dry air)
Fluid	Filtered, unlubricated or continuous lubricated compressed air
Accuracy	Cl. 1.6 (EN 837-1)
Dial	Ø 40 - 50 - 63 - 100
Port size	G1/8 - G1/4
Fixing	Type MA - Direct axial mounting Type MR - Direct radial mounting Type MF - Panel mounting with flange Type MP - Panel mounting with bracket

### MATERIALS

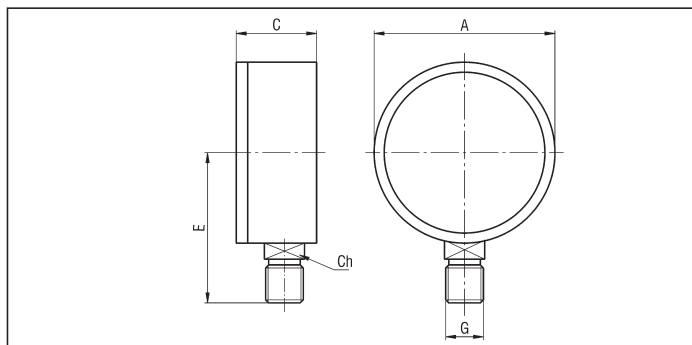
Case	Type MA: Black ABS Type MR: Black ABS Type MF: Black painted steel Type MP: Galvanized steel
Gauge crystal	Kostil
Port	Brass
Spring	Copper
Movement	Brass
Dial	White ABS

### AXIAL GAUGES TYPE MA



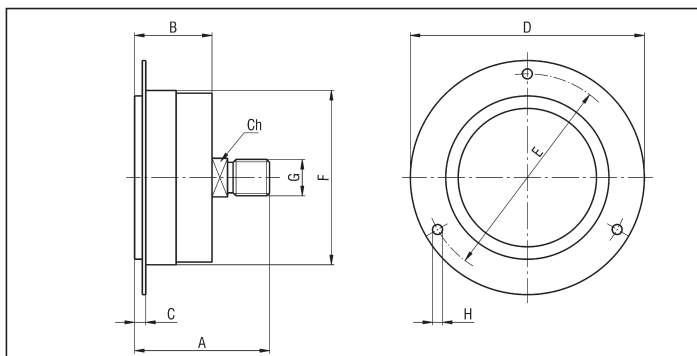
G	A	C	Ch	E	TYPE				WEIGHT (g)
					0 ÷ 1 bar	0 ÷ 4 bar	0 ÷ 6 bar	0 ÷ 12 bar	
G 1/8	40	24	12	40	MA 4/1	MA 4/4	MA 4/6	MA 4/12	48
G 1/8	52	28	14	52	MA 5/1	MA 5/4	MA 5/6	MA 5/12	75
G 1/4	63	29,5	14	54	MA 6/1	MA 6/4	MA 6/6	MA 6/12	90
G 3/8	100	36	17	65	-	-	-	MA 10/12	230

### RADIAL GAUGES TYPE MR



G	A	C	Ch	E	TYPE				WEIGHT (g)
					0 ÷ 1 bar	0 ÷ 4 bar	0 ÷ 6 bar	0 ÷ 12 bar	
G 1/8	40	24	12	37	MR 4/1	MR 4/4	MR 4/6	MR 4/12	42
G 1/8	51	28	14	48	MR 5/1	MR 5/4	MR 5/6	MR 5/12	68
G 1/4	63	29,5	14	54	MR 6/1	MR 6/4	MR 6/6	MR 6/12	84
G 3/8	100	36	17	78	-	-	-	MR 10/12	230

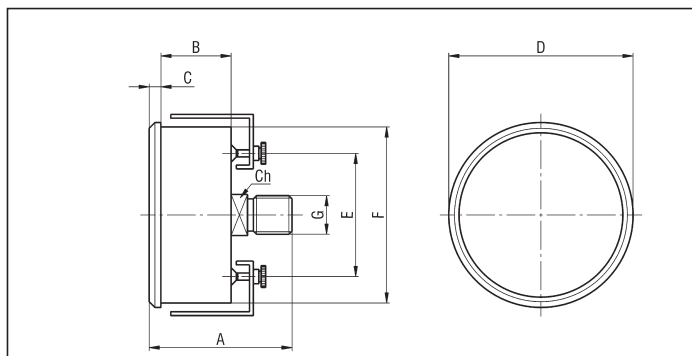
### AXIAL GAUGES WITH FLANGE TYPE MF



G	A	B	C	Ch	D	E	F	H
G 1/8	40,5	25,5	4	11	61	51	40,5	3,6
G 1/8	45	29	4	14	74,5	60	52,5	3,6
G 1/4	46,5	30	5,5	14	84,7	75	63,7	3,6
G 3/8	61	30	5	17	132	118	100,5	6

G	D	TYPE				WEIGHT (g)
		0 ÷ 1 bar	0 ÷ 4 bar	0 ÷ 6 bar	0 ÷ 12 bar	
G 1/8	61	MF 4/1	MF 4/4	MF 4/6	MF 4/12	82
G 1/8	74,5	MF 5/1	MF 5/4	MF 5/6	MF 5/12	120
G 1/4	84,7	MF 6/1	MF 6/4	MF 6/6	MF 6/12	150
G 3/8	132	-	-	-	MF 10/12	250

### AXIAL GAUGES WITH BRACKET TYPE MP



G	A	B	C	Ch	D	E	F
G 1/8	43	21	5	12	43	28	39
G 1/8	46	23	6	14	55,5	35	49
G 1/4	48	23	6	14	63,8	43	59

G	D	TYPE				WEIGHT (g)
		0 ÷ 1 bar	0 ÷ 4 bar	0 ÷ 6 bar	0 ÷ 12 bar	
G 1/8	43	MP 4/1	MP 4/4	MP 4/6	MP 4/12	82
G 1/8	55,5	MP 5/1	MP 5/4	MP 5/6	MP 5/12	120
G 1/4	63,8	MP 6/1	MP 6/4	MP 6/6	MP 6/12	150