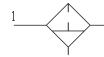


DESCRIPTION

Filters series "EZF" are produced with connections G 3/8, G 1/2 and G 1; they are available with various degrees of filtration and with manual, semi-automatic or automatic condensate drainage system (except the size G 3/8). The techno-polymer bowls have a metallic protection as standard for the sizes G 1/2 and G 1, and made of glass stiffened polyamide on request for the size G 3/8.

TECHNICAL DATA

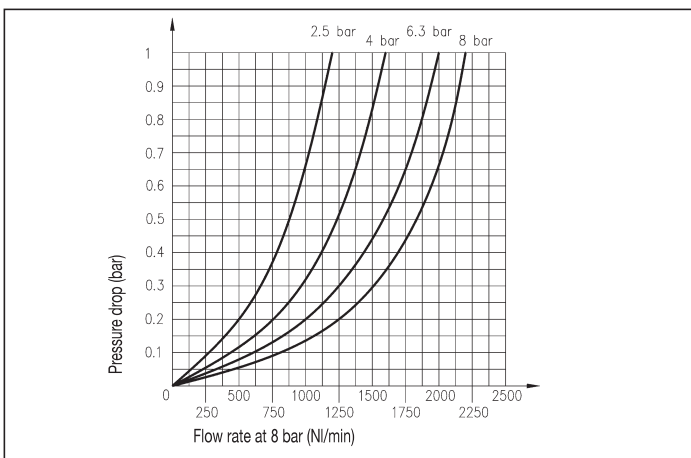
Maximum pressure	16 bar
Working temperature	0 ± +50 °C (-10 °C with dry air)
Fluid	Compressed air
Port size	G 3/8 - G 1/2 - G 1
Void fraction	G 3/8 - G 1/2: 20 µm standard; 5 µm or 40 µm on request G 1: 40 µm standard
Condensate drainage system	G 3/8: Manual or semi-automatic G 1/2 - G 1: Manual, semi-automatic or automatic
Max. condensate capacity	G 3/8 = 23 cm ³ G 1/2 = 58 cm ³ G 1 = 105 cm ³ (do not exceed the level gauge)
Type of mounting	Modular, in-line and wall-mounting
Wall clamping screws	G 3/8: M4x60 G 1/2: M5x70 G 1: M6x90



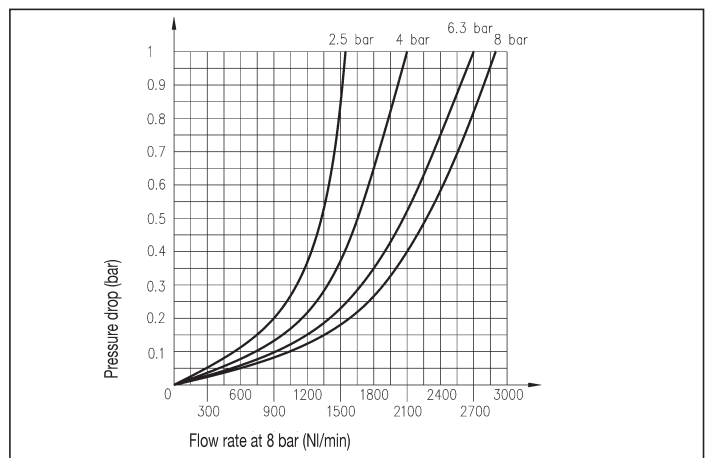
MATERIALS

Body	Aluminium alloy
Bowl	G 3/8: Transparent techno-polymer (protection made of glass stiffened polyamide on request) G 1/2 - G 1: Transparent techno-polymer with metallic protection as standard
Filtering element	G 3/8 - G 1/2: Sintered polyethylene G 1: Sintered porous bronze
Seals	NBR rubber
Baffle	Acetal resin

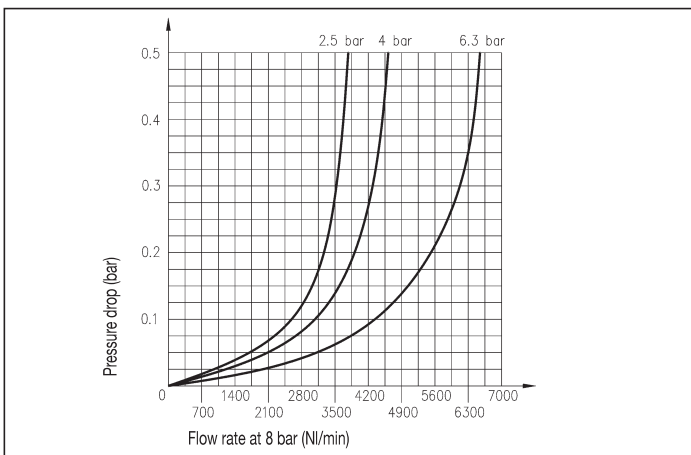
FLOW CHART - EZF G 3/8



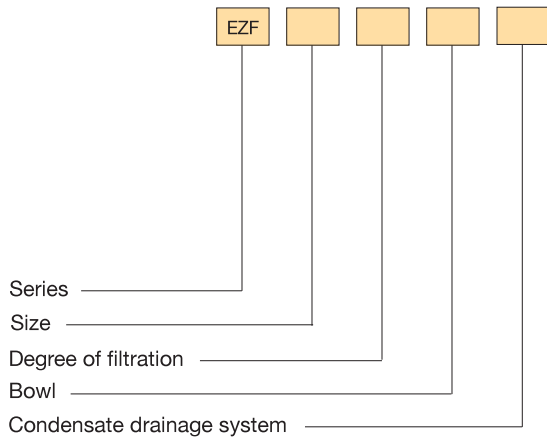
FLOW CHART - EZF G 1/2



FLOW CHART - EZF G 1



ORDER KEY



SIZE			
3	G 3/8	2	G 1/2
1	G 1		
DEGREE OF FILTRATION			
/5	5 µm*	/20	20 µm
/40	40 µm		
BOWL			
Transparent		PM	Protection**
CONDENSATE DRAINAGE SYSTEM			
/SM	Manual	/SS	Semi-automatic
/SA	Automatic***		

* Available only for sizes 3 and 2

** Metallic as standard for sizes 2 and 1, made of glass stiffened polyamide on request for size 3

*** Available only for sizes 2 and 1

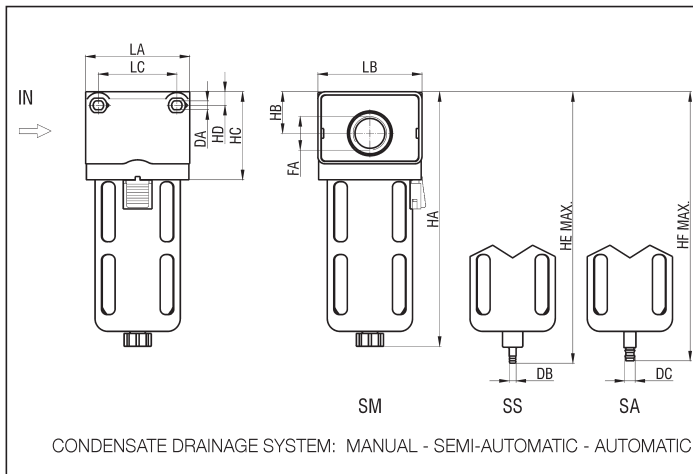
4

SPARE PARTS

DESCRIPTION	SIZE		
	3	2	1
Bowl protection	EZ3/PM	-	EZ1/PM
Techno-polymer bowl with manual drainage system*	EZT/F3/SM	EZT/F2/PM/SM	EZT/F1/SM
Techno-polymer bowl with semi-automatic drainage system*	EZT/F3/SS	EZT/F2/PM/SS	EZT/F1/SS
Techno-polymer bowl with automatic drainage system*	-	EZT/F2/PM/SA	EZT/F1/SA
Filter cartridge 5 µm	EZ3/5	EZ2/5	-
Filter cartridge 20 µm	EZ3/20	EZ2/20	EZ1/20
Filter cartridge 40 µm	EZ3/40	EZ2/40	EZ1/40

* The bowls size 2 are supplied with metallic protection as standard

DIMENSIONS AND WEIGHTS EZF



SIZE	DA	DB	DC	FA	HA	HB	HC	HD	HE	HF	LA	LB	LC	WEIGHT (g)
3	4,5	G 1/8	-	G 3/8	142	21	52	6	146	-	55	50	40	390
2	5,5	Ø 4,3	Ø 6,5	G 1/2	159	26	55	8,5	170	168	65	65	49	415
1	6,6	G 1/8	Ø 6,5	G 1	218	31	76	9	222	213	85	82	60	1815