

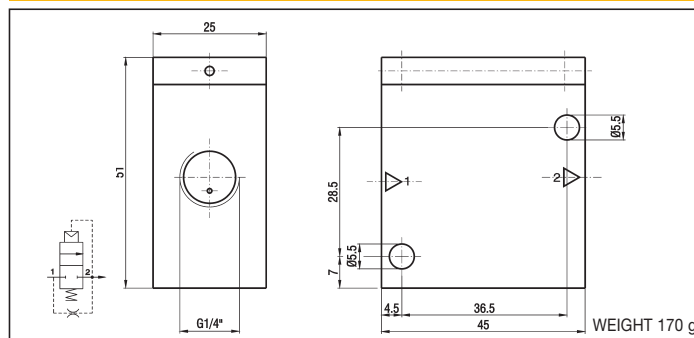
Air treatment: automatic soft-start valve UZAP/A4 G 1/4

series UZ

DESCRIPTION

AUTOMATIC SOFT-START VALVE: this valve, produced with connections G 1/4 in the 2/2 pneumatic version, even if cannot be modular assembled with the F-R-L of series "UZ", yet assures the same functionality of the soft-start valve before mentioned, and with the peculiarity of being "automatic", not needing any kind of external pilot. They are in compliance with ATEX directive, 2GD category, upon request.

DIMENSIONS AND WEIGHT - UZAP/A4



4

Air treatment: shut - off valve UZVL G 1/4

series UZ

DESCRIPTION

Shut - off valves series "UZVL" are produced with connections G 1/4 and they are fit to be locked in the exhaust position by means of a standard padlock. It is in compliance with ATEX directive, 2GD category, upon request.



TECHNICAL DATA

Maximum pressure	16 bar
Working temperature	0 ÷ +50 °C (-10° C with dry air)
Fluid	Filtered, unlubricated or continuous lubricated compressed air
Port size	G 1/4
Flow rate at 6 bar ΔP=1 bar	1300 NI/min
Type of mounting	Modular and in-line

MATERIALS

Body	Anodized aluminium alloy
Seals	NBR rubber
Slider	Anodized aluminium alloy

DIMENSIONS AND WEIGHT - UZVL/4

